

CANvu™ 700

Bright colour touch screen with intergrated I/O



CANtronik

Agricultural – Environmental – Industrial – Marine – Specialist

Key features:

The CANvu 700 is a fully sunlight viewable 7.0 inch colour display with integrated input and output features.

It offers fourteen analogue inputs, four digital inputs, eight outputs, two CAN connections and a USB to allow multiple functionality and increased input and output capability.

The high brightness WVGA (800 x 480 pixels) colour display is fully sunlight viewable and the unit is IP66 sealed.

Using the powerful Freescale iMX 286 processor, programmers can quickly put together a project using our proprietary software developer's kit and the proven CANtronik component based library.

The SDK is offered for a one-off license fee from which customers can develop their own bespoke application solution. Alternatively WiTD can develop software to your specification using our experienced in house engineers.

W.i.T.D services
Handelsweg 6H
1785 AE Den Helder, Nederland
KvK: 37120693
Tel: +31-(0)223-707424
E-mail: witd@waalamo.com
Website: <http://witd.waalamo.com>



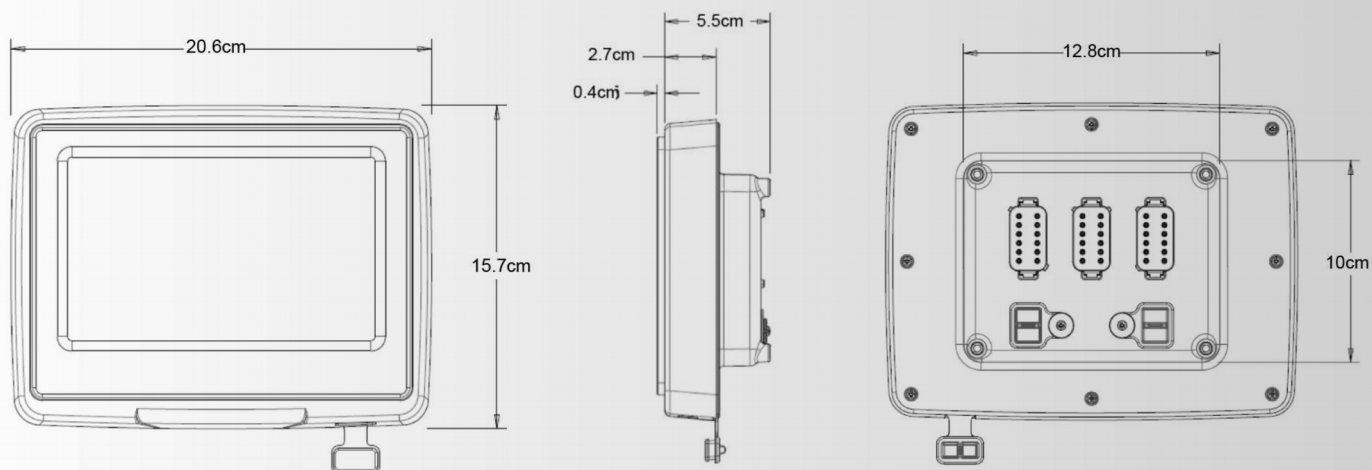
WiTD services
WITD@WAALAMO.COM

"Measuring is knowing"

Also for your HMIs, data recorders, wireless communication and engineering advice.

Specifications CANvu™ 700

Hardware	
Microcontroller	Processor Freescale iMX 286, runs on 454 MHz
Flash-memory	128 MB NAND
SDRAM	128 MB
Electrical	
Display	a-Si TFT LCD 7"
Resolution	800 (H) x 480 (V) WVGA
Active screen size	152.4mm (H) x 91.4mm (V)
Viewing angle	60 degrees 3 & 9 uur/50 degrees 12 & 6 uur
Colours	262K
Contrast ratio	400:1
Brightness	800 NIT (cd/m ²)
Power requirements	10V to 32V DC
Sounder	Intern buzzer
Connections	3× 12 Pin Deutsch DT04-12PA
Communication	1× RS232, 2× CAN Bus 2.0B(1x isolated), 2× USB2.0, 1× Ethernet
IO	14 Analog Inputs, 8 Relay Outputs and 4 Digital Inputs.
Environmental	
Operating temperature	-30 to + 80 degree Celsius
Storage temperature	-40 to +80 degree Celsius
Degree of protection	IP67
Mechanical	
Housing	ABS
Case colour	Antraciet grijs
Dimensions	205mm (W) x 157mm (H) x 30mm forwards and 30 mm backwards (D)
Weight	900 g



WiTD services

WITD@WAALAMO.COM

"Measuring is knowing"