

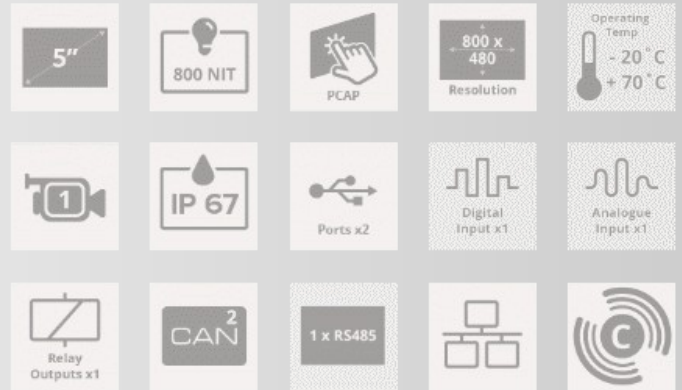
CANvu™ 500

5" Colour Touch Screen Display with integrated I/O



CANtronik

Agricultural – Environmental – Industrial – Marine – Specialist



Key features:

The CANvu 500 has a slim-line profile which houses a hi-resolution 5-inch projected capacitive colour touch screen delivering modern tablet like aesthetics. A Freescale i.MX 6 processor and dedicated graphics processor offer high performance graphics and video capabilities.

The WVGA (800x480) PCAP LCD colour display can be viewed in full sunlight and the ruggedised unit is sealed to meet IP 67 standards. With dual CAN, Ethernet and Video support, the display is suited to a wide range of applications. External buttons can be added via a compatible CAN keypad.

It meets the need for tough, flexible instrumentation while offering high performance and design specifications. Custom software applications can be rapidly created using the CANvu Qt software development kit (SDK), and the display can be integrated into a control & monitoring system using its data logging capacity and alarm functionality.

The SDK is offered for a one-off license fee from which customers can develop their own bespoke application solution. Alternatively WiTD can develop software to your specification using our experienced in house engineers.

W.i.T.D services
Handelsweg 6H
1785 AE Den Helder, Nederland
KvK: 37120693
Tel: +31-(0)223-707424
E-mail: witd@waalamo.com
Website: <https://witd.waalamo.com>



WITD services

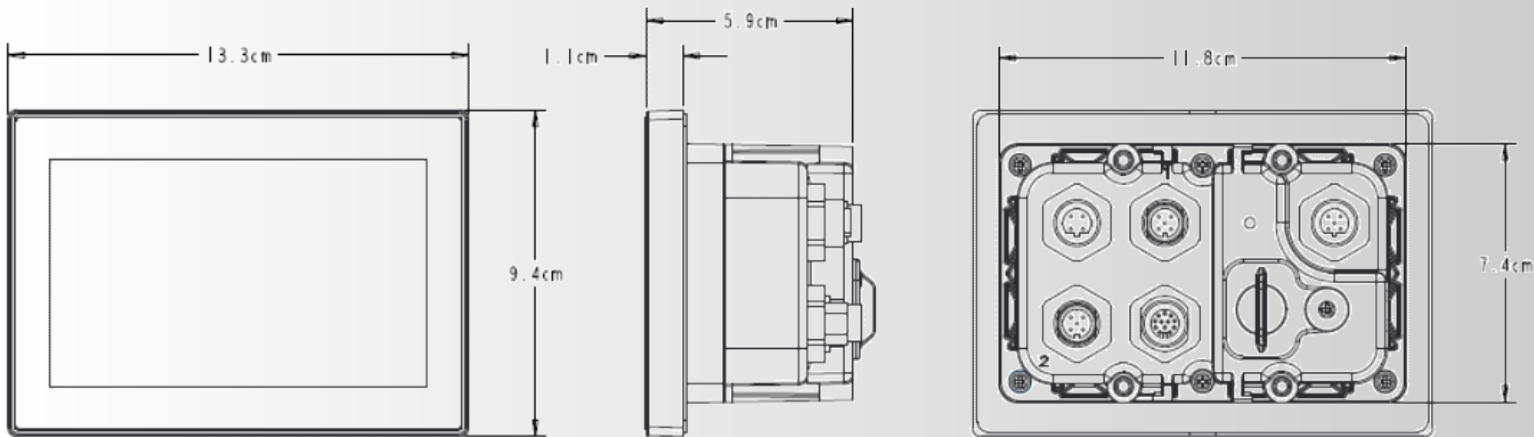
WITD@WAALAMO.COM

"Measuring is knowing"

Also for your HMIs, data recorders, wireless communication and engineering advice.

Specifications CANvu™ 500

Hardware	
Microcontroller	Freescale i.MX 6 1GHz and an additional Graphics Processor
Flash-memory	256 MB
SDRAiM	256 MB
Electrical	
Display	PCAP LCD 5.0"
Resolution	800 (H) x 480 (V) WVGA
Active area	108.0mm (H) x 64.8mm (V)
Viewing angle	70 degrees left/right/up/down
Contrast ratio	800:1
Brightness	800 NIT (cd/m ²) Full sunlight readable
Power requirements	8V to 32V DC
Sounder	Internal buzzer
Connection	5 x M12 Connectors
Communications	1 X RS485, 2 X CAN Bus 2.0B (1 isolated), 2 x USB 2.0, 1 x Ethernet
Environmental	
Operating temperature	-30 to + 80 degrees Celsius
Storage temperature	-40 to +80 degrees Celsius
Degree of protection	IP67
Mechanical	
Case material	ABS
Case colour	Anthracite Grey
Dimensions	133mm (W) x 94mm (H) x 11mm forward and 48mm rear (D)



CAN 1	External USB / IO	Ethernet
1 No Connection	1 USB Volts Positive	1 White/Orange +TX
2 Positive DC Supply	2 USB Data Negative (DM)	2 White/Green +RX
3 Ground	3 USB Data Positive (DP)	3 Orange -TX
4 CAN Data H	4 No Connection	4 Green
5 CAN Data L	5 USB Volts Negative	
	6 RS422/485 Tx+*	
	7 RS422/485 Tx-*	
	8 RS422/485 Rx+*	
	9 RS422/485 Rx-*	
	10 Digital Input	
	11 Analogue Input	
	12 Relay Output	
CAN 2		Video
1 No Connection		1 Camera 1
2 Isolated Volts Positive		2 Camera 2
3 Isolated Volts Negative		3 Camera 3
4 Isolated CAN Data H		4 Camera 4
5 Isolated CAN Data L		5 Ground



WITD services

WITD@WAALAMO.COM

"Measuring is knowing"

(Subject to misprints)