

# High Bright Colour Display with integrated I/O



**Marine - Industrial - Semiconductor - Pharmaceutical - Laboratory**

## Highlights:

- QVGA Graphical high resolution 320 x 240 colour TFT LCD. With an enhanced LED variable backlight ensures total sunlight viewing. Max brightness of 750 NIT (cd/m<sup>2</sup>).
- Fully sealed to IP67 using molded in (2) Deutsch 12-pin connectors and one USB port.
- CAN bus (x2), USB, RS232.
- 7 Analog Inputs, 4 Relay Outputs and 3 Digital Inputs.
- Optional Software Developers Kit that provides a huge library of functions allowing programmers full control over all of the displays hardware.
- Internal sounder/ buzzer.
- Potential for multiple accessed screens via user defined tactile soft-keys.
- Can act as part of a control system, (not just a display) and / or data logger.
- Optional remote I/O module, the CANvu Input Module (CIM). converts/ controls signals locally and sends them to the display via CAN BUS.

**CANtronik**



## W.i.T.D services

Handelsweg 6H  
1785 AE Den Helder, the Netherlands  
KvK: 37120693  
Tel: +31-(0)223-707424  
E-mail: [witd@waalamo.com](mailto:witd@waalamo.com)  
Website: <http://witd.waalamo.com>



**WITD services**

[YOURTECH@WAALAMO.COM](mailto:YOURTECH@WAALAMO.COM)

**"Measuring is knowing"**

**Also for your HMI's, data recorders, wireless communication and engineering advice.**

## Specifications CANvu™ 355

### Hardware

Micro Controller Unit	Processor is Free scale iMX 286, running at 454 MHz
Flash Memory	128 MB NAND
SDRAIM	128 MB

### Electrical

Display	S-Si TFT LCD 3.5"
Resolution	320 (H) x 240 (V) QVGA
Active Area	70.08mm (H) x 52.56mm (V)
Viewing Angle	130/110 degrees from 6 O'clock
Number of Colours	64K
Contrast Ratio	300:1
Brightness	750 NIT (cd/m2)
Power Requirements	10V to 32V DC
Sounder	Internal Buzzer
Connection	(2) 12 Pin Deutsch DT04-12PA Moulded in Receptacle
Communications	1 x rs232, 2 x CAN Bus 2.0B(1 isolated), USB2.0

### Environmental

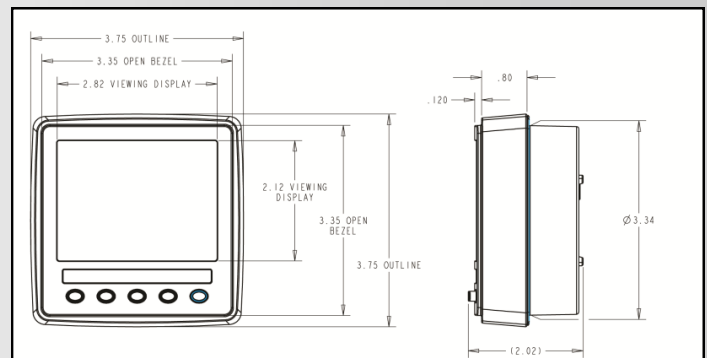
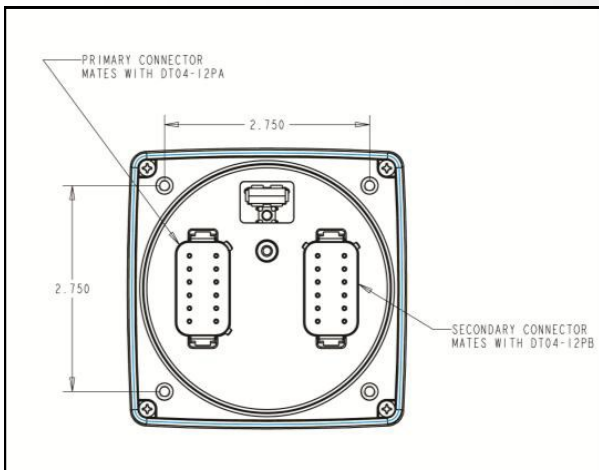
Operating temperature	-20 to + 70 Degrees Celsius
Storage Temperature	-30 to +80 Degrees Celsius
Degree of Protection	IP 67

### Mechanical

Case material	ABS
Case colour	Black
Dimensions	95mm (W) x 95mm (H) x 23mm forward and 23mm rear (D)

### Part Number

900614	CANvu™ 355
910614	CANvu™ 355 Engine Monitor
920614	CANvu™ 355 Engine Gateway Monitor (EGM)



**WiTD** services

YOURTECH@WAALAMO.COM

**"Green begins with measuring"**

(Subject to misprints)

<http://wtd.waalamo.com>